

# LEADERS IN LASER SUPPLY



[BARRETTSTEEL.COM](http://BARRETTSTEEL.COM) | [SALES@NEWARKSTEEL.CO.UK](mailto:SALES@NEWARKSTEEL.CO.UK) | 01636 677131

# BARRETT STEEL TUBES

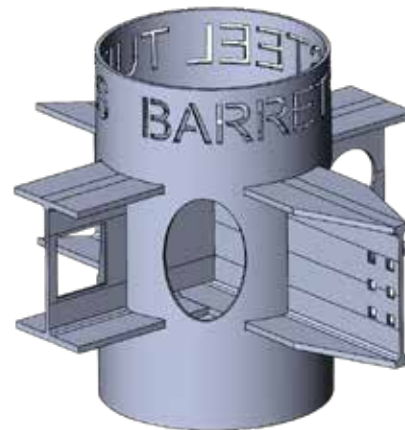
Barrett Steel Tubes has grown continuously to become one of the largest suppliers of processed steel tube products in the UK and Ireland.

As part of the Barrett Steel Group our extensive product range includes hollow section, nominal bore tube, stainless steels and ERW precision tube in squares, rectangles, rounds, ovals and more.

The laser processing area of our business was established in 1999 to produce laser cut parts from Tubes, Box Section and Open Sections. A means of production recognised to save our customers time by making the design and fabrication of complex tubular structures a simple task.

## Who We Are

- Established suppliers to a number of leading OEMs.
- Experienced in serving a wide range of specialist sectors.
- Proud to work with our customers to deliver optimum solutions for a diverse range of technically challenging and time-critical projects.



# SUPPLY CHAIN MANAGEMENT

Barrett Steel Tubes is proud to work alongside customers offering tailored solutions to reduce costs whilst strengthening your supply chain.

- Dedicated Contract Manager.
- Experienced in understanding the requirements of OEMS and their tier one suppliers.
- Greater CAD capacity to allow for increase in new parts programming.
- Stock can be held and kits of parts created increasing processing efficiency, ready for call off as well as supplied on a consignment basis.
- Offer a Just in Time service to assist with cash flow.
- In-house expertise ensures parts are created in the most efficient manner.

## The Importance of Quality

- Production Part Approval Process (PPAP).
- Initial Sample Inspection Report (ISIR).
- Part Submission Warrant (PSW).

Our experienced Quality Team are trained to be able to produce ISIR, PPAP and PSW documentation on request. This gives you the confidence that your parts are manufactured to your requirements.



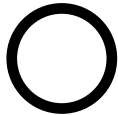
# LASER CUTTING RANGE

## Square Sections



From **12.7mm x 12.7mm**  
To **400 x 400 x 16**

## Circular Sections



From **12.7mm**  
To **610mm**

## Rectangular and Oval Sections



From **25.4mm x 12.7mm**  
To **500mm x 300mm**

## Channel Sections



From **52mm x 35mm**  
To **430mm x 100mm**

## Angle Sections



**Equal**  
From **25mm x 25mm**  
To **200mm x 200mm**

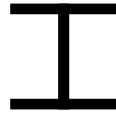
**Unequal**  
From **40mm x 20mm**  
To **250mm x 150mm**

## Universal Beams



From **127 x 76 x 13**  
To **457 x 191 x 98**

## Universal Columns



From **152 x 152 x 23**  
To **305 x 305 x 118**

## 3D / 5 Axis Laser Cutting

3D / 5 Axis laser cutting can be utilised to create time saving weld preps and other geometrics. This will aid the fabrication of tubes, hollow sections, angles, channels and other shapes (on application, as well as other metals).

## LT24 Tube Laser

The LT24 CNC Tube Laser is one of the UK's largest machines in terms of the sections and lengths that can be processed. The additional processing we offer saves our customers valuable fabrication time on the wide range of open sections, tubes and hollow sections produced by our approved suppliers.

Maximum thickness cut dependent on section size and machine - 25mm.

Stainless Steel, other non-ferrous metals, alternative sections/shapes can be quoted on application.

Maximum thickness cut in Stainless Steel same as above but limited to 10mm.

Aluminium and other non-ferrous on application.

Finished lengths up to 15 metres, longer lengths on application.



# OTHER PROCESSING OPTIONS

## Tapping / Threading

We are able to offer a tapping service to laser and drilled parts ranging from M2 (2mm) to M12 (12mm). Greater sizes are available, please contact the team to discuss your requirements.

## Saw / Mitre Cutting

Our cutting facilities include semi-automatic band saws and carbide saw cutting.

We can provide a bevelled, bundle, repetition, square and mitre cutting service which enables Barrett Steel Tubes to offer fast and accurate cutting for all your requirements.

## Flowdrilling

Flowdrill also known as friction drilling, flow forming or thermal drilling process uses high rotational speed and high pressure to make holes in the desired material. Material is not lost using a Flowdrill process but forms a sleeve around the hole. The process is beneficial when there is a requirement for a thread in thin material without the use of thread inserts.

## Bending

Two mandrel tube bending machines can bend material up to 38mm diameter in both Mild and Stainless Steel. Our machine (Elect 150) enables us to offer both fixed and variable radius bends on tubes up to 150mm dia. subject to tooling.

There are also four ring rollers on site that offer variable radius bending on sections up to 120mm x 120mm and the equivalent in rectangles and circles.

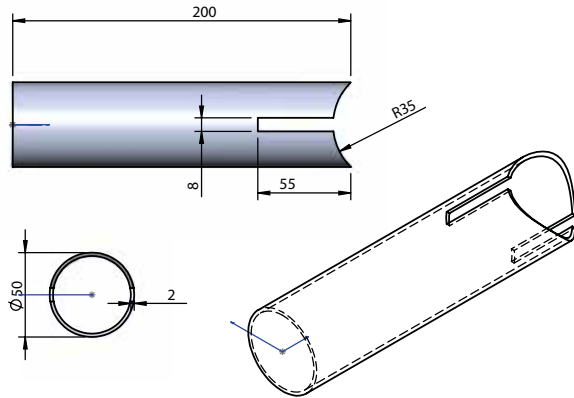
Alongside these machines a Euromac Digibend machine covers a variety of bending applications in both Hollow Sections and General Steel products.



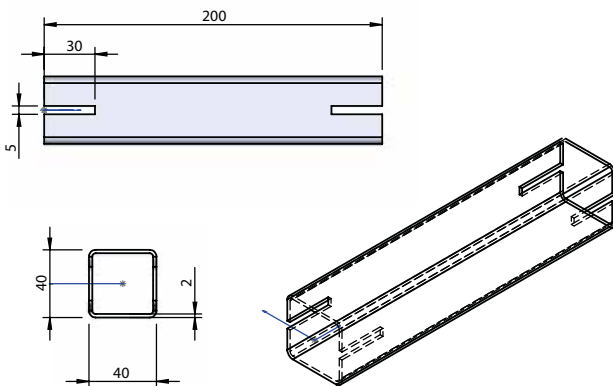
# HOLLOW SECTION CUTS

These cuts are examples of and not limited to our abilities, please contact the team with any other requirements.

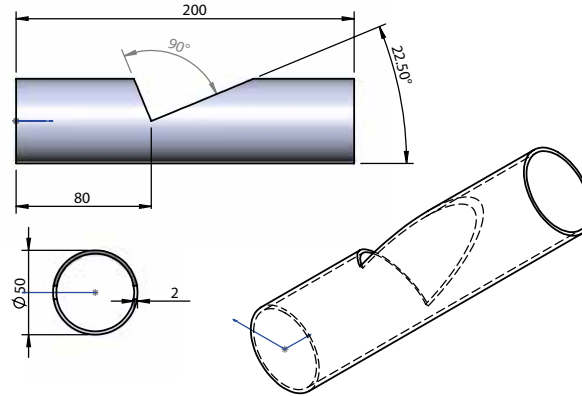
## Bird Mouth Circular



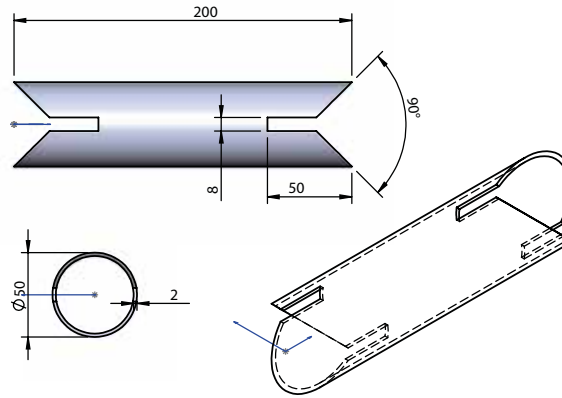
## Bird Mouth Square



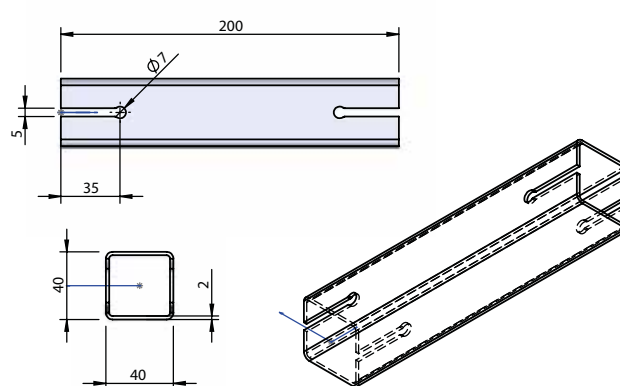
## Resting Cut



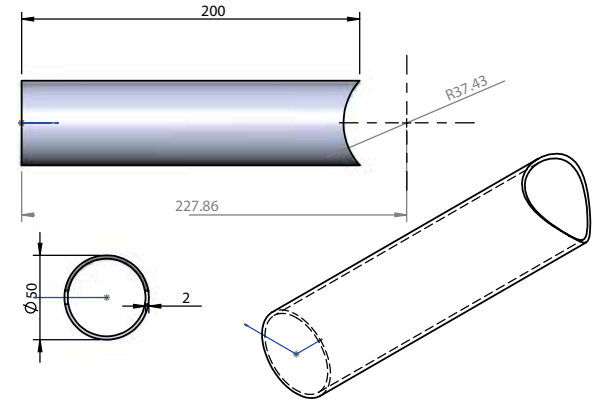
## Scalloped Bird Mouth



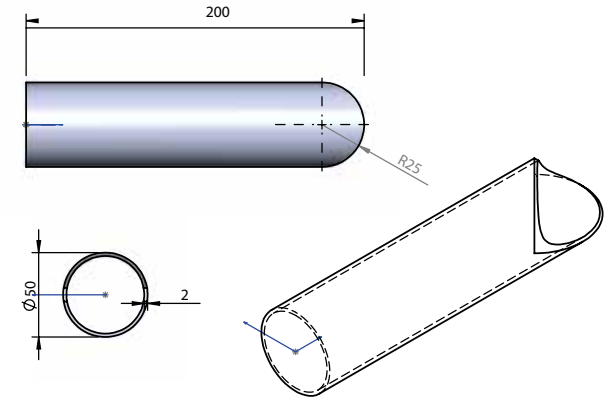
## Slot in Fatigue



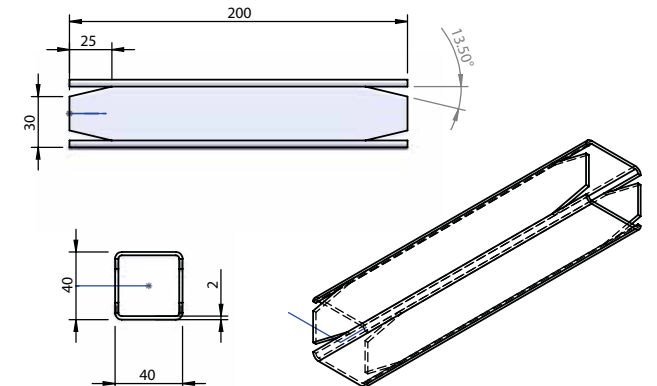
## Saddle Cut



## Cod Mouth

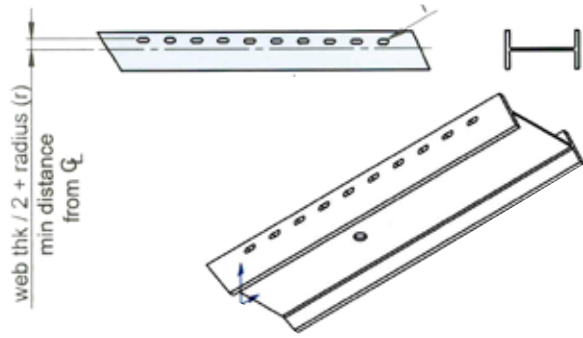


## Weld Closure

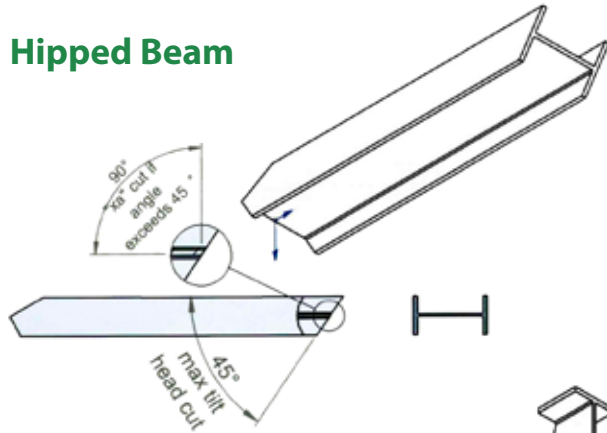


# OPEN SECTION CUTS

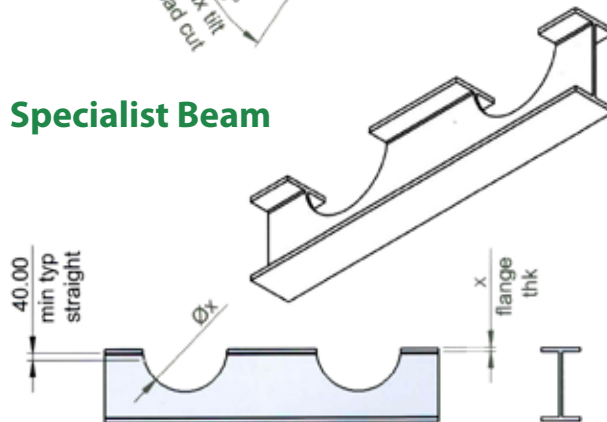
## Slotted Beam



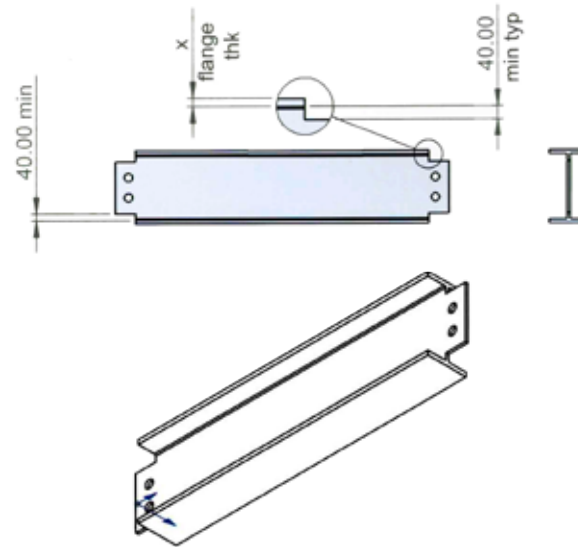
## Hipped Beam



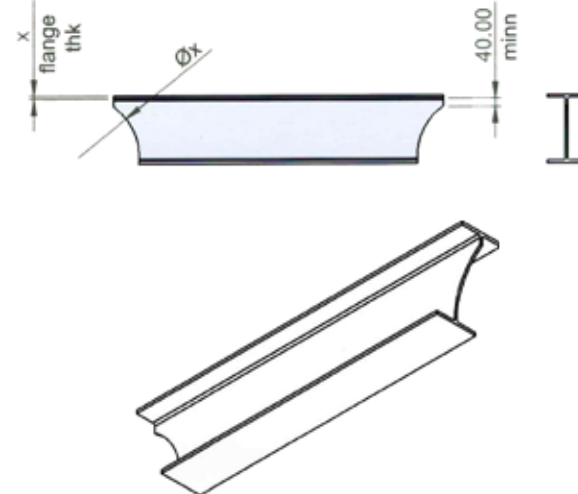
## Specialist Beam



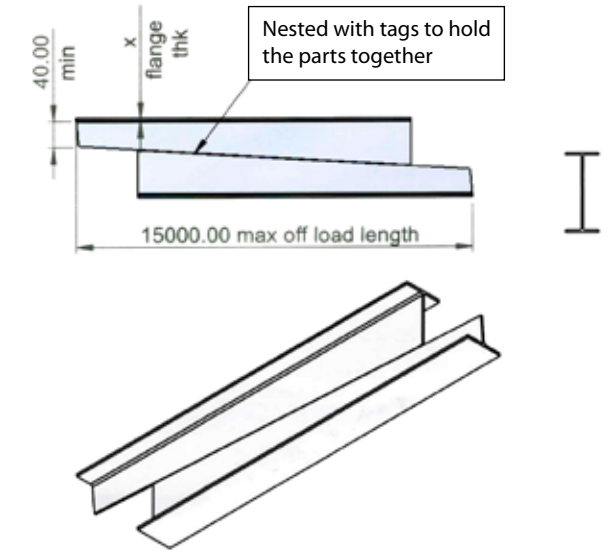
## Notched Beam



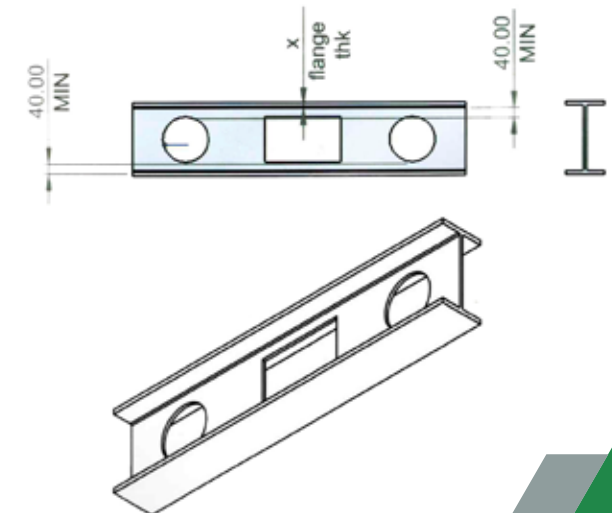
## Architectural Profiles



## Tapered Beams & Haunches



## Service Holes



# LASER PARAMETERS

## SIZES & SHAPES

**Key:** AN = Angle CH = Channel

LASER	WELD PREP	MIN ROUND	MAX ROUND	MIN SQUARE	MAX SQUARE	MIN RECT	MAX RECT	OPEN SECTION	COMMENT
LT712D	NO	12mm	150mm	12mm x 12mm	100mm x 100mm	25mm x 12mm	120mm x 80mm	NO	-
LT722D	NO	12mm	150mm	12mm x 12mm	100mm x 100mm	25mm x 12mm	120mm x 80mm	NO	-
LT8-1-FIBER	Yes max. 45 degrees	16mm	240mm	16mm x 16mm	200mm x 200mm	30mm x 15mm	200mm x 150mm	AN/CH/OTHER	Other shapes on application
LT8-3	Yes max. 45 degrees	16mm	219mm	16mm x 16mm	200mm x 200mm	30mm x 15mm	200mm x 150mm	AN/CH/OTHER	Other shapes on application
LT8-4	Yes max. 45 degrees	16mm	219mm	16mm x 16mm	200mm x 200mm	30mm x 15mm	200mm x 150mm	AN/CH/OTHER	Other shapes on application
LT24	Yes max. 45 degrees	80mm	610mm	80mm x 80mm	400mm x 400mm	120mm x 80mm	500mm x 300mm	AN/CH/OTHER	Other shapes on application
LT7-1-FIBER	Yes max. 45 degrees	12mm	152mm	12mm x 12mm	150mm x 150mm	25mm x 12mm	150mm x 100mm	AN/CH/OTHER	Other shapes on application
LT7-2-FIBER	Yes max. 45 degrees	12mm	152mm	12mm x 12mm	150mm x 150mm	25mm x 12mm	150mm x 100mm	AN/CH/OTHER	Other shapes on application
LT7-3-FIBER	NO	12mm	152mm	12mm x 12mm	150mm x 150mm	25mm x 12mm	150mm x 100mm	AN/CH/OTHER	Other shapes on application

## THICKNESSES AND MATERIALS CUT

LASER	MILD STEEL MAX	WELD PREP	STAINLESS	WELD PREP	ALUMINIUM	WELD PREP	PRE-GALV	OTHER METALS	MAX KG/M	MIN INPUT	MAX INPUT	MAX OUTPUT
LT712D	6.3mm	NO	3mm	NO	NO	NO	YES	NO	15	3.2m	8.5m	6.5m
LT722D	8mm	NO	4mm	NO	NO	NO	YES	NO	15	3.2m	8.5m	6.5m
LT8-1-FIBER	12mm	8mm	8mm	On application	8mm	NO	YES	On application	40	2.5m	12.5m	10m
LT8-3	12mm	8mm	4mm	NO	NO	NO	YES	NO	35	2.5m	8.5m	8.5m
LT8-4	12mm	8mm	4mm	NO	NO	NO	YES	NO	35	2.5m	12.5m	8.5m
LT24	25mm	12mm	10mm	6mm	NO	NO	YES	NO	300	4m	15-18m	15m
LT7-1-FIBER	8mm	6mm	6mm	4mm	6mm	3mm	YES	On application	23	3.2m	8.5m	6.5m
LT7-2-FIBER	8mm	6mm	6mm	4mm	6mm	3mm	YES	On application	23	3.2m	8.5m	6.5m
LT7-3-FIBER	8mm	NO	6mm	NO	6mm	NO	YES	On application	23	3.2m	8.5m	6.5m



# BARRETT STEELS LASER CUTTING PROCESSING CENTRE SERVES UK INDUSTRIES

At Barrett Steel Tubes, we proudly operate a state-of-the-art laser cutting processing centre that plays a vital role in serving various industries across the UK. With precision and innovation at its core, we offer high-quality laser cutting solutions that cater to the diverse needs of UK industries.

## Sectors we support include:



Agriculture



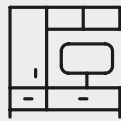
Automotive



Transportation



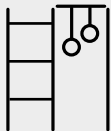
Construction



Furniture



Energy and Sustainability



Sports



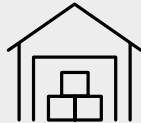
Yellow Goods



Leisure



Healthcare



Storage



Retail

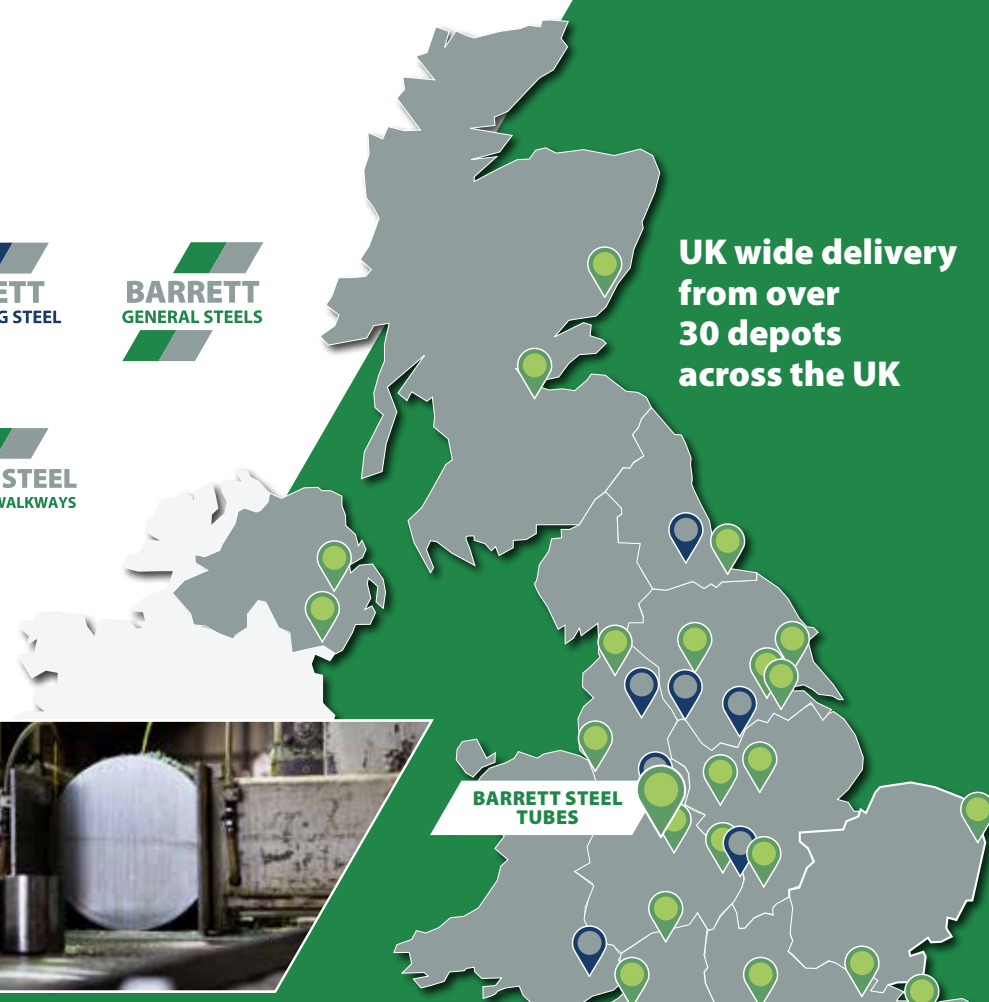


# GROUP SERVICES

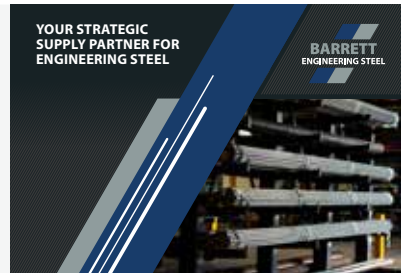
Across our group network, we offer a comprehensive range of steel supply services. These include; Structural Steel Processing, Plate Profiling, Engineering Bar Stockholding and Processing. Additionally, we have a dedicated Balustrades and Walkways division for all your safety project requirements. Our commitment to excellence extends beyond stockholding to provide a complete suite of tailored solutions for our customers.



**UK wide delivery from over 30 depots across the UK**



**Scan here to download our Engineering Brochure**



**BARRETT STEEL TUBES**



**Scan here to download our Plate Profiling Brochure**



**Barrett Profiling Division**



**Handrail and Walkway Solutions**



# FOLLOW US ON SOCIALS

Stay in the loop with all our latest updates and industry highlights by following us on our social media channels. Join us on our journey to excellence.



Scan here to read the latest news from Barrett Steel



**MAKING STRIDES TOWARDS A SUSTAINABLE FUTURE AS BARRETT STEEL TRIAL ELECTRIC TRUCKS!**

FIND OUT MORE >



Keep up-to-date with everything new at Barrett Steel - follow us today





Part of Barrett Steel Limited

[BARRETTSTEEL.COM](http://BARRETTSTEEL.COM) | [SALES@NEWARKSTEEL.CO.UK](mailto:SALES@NEWARKSTEEL.CO.UK) | 01636 677131